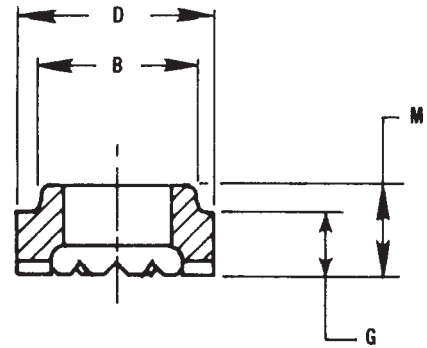
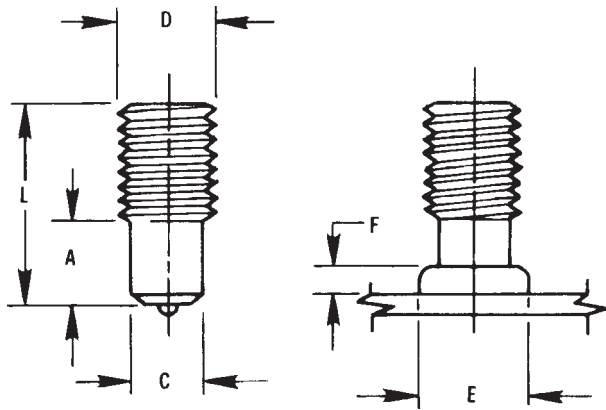


# RB REDUCED BASE STUD



STUD SPECIFICATIONS						FERRULE SPECIFICATIONS				
D	Min L.	C	A	FILLET DIMENSION		No.	D	B	G	M
				E	F					
1/4-20	3/4	.187	3/16	5/16	3/32	31FER	.455	.385	.125	.250
5/16-18	3/4	.250	1/4	13/32	7/64	14FER	.535	.445	.125	.250
3/8-16	3/4	.312	3/8	15/32	7/64	51FER	.590	.505	.139	.264
1/2-13	1	.375	7/16	17/32	1/8	38FER	.675	.585	.173	.329
5/8-11	1 1/4	.500	1/2	19/32	5/32	12FER	.740	.650	.206	.362
3/4-10	1 1/2	.625	5/8	3/4	3/16	58FER	.910	.785	.277	.433
7/8-9	1 1/2	.750	3/4	59/64	1/4	34FER	1.150	1.030	.339	.526
1-8	1 3/4	.875	7/8	1 3/64	5/16	78FER	1.330	1.210	.406	.593

COX INDUSTRIES RB STUDS have a reduced weld base (C). They are available in diameters 1/4" through 1". All orders for studs include required ferrules.

LENGTH: Available in required lengths above recommended standard minimums (L). Length is before weld. Stud diameters 1/2" and below will be approximately 1/8" shorter after welding. 5/8" and above will be approximately 3/16" shorter after welding.

THREAD: Standard thread is UNC2A. Maximum standard thread length is 3 7/8".

MATERIAL: Low carbon steel.

Mechanical Properties (as cold drawn)  
 Tensile .....55,000 psi min.  
 Reduction in Area .....50% min.

STAINLESS STEELS: COX INDUSTRIES studs are also available in weldable stainless steel. Type 304 is the most commonly used. Other grades of stainless steel (except Type 303) available when required.

PLATING: If plated studs are required, cadmium, zinc, and nickel are used to ASTM specifications A165 Type TS, A164 Type RS, and B-456. Welding end of stud is not plated to prevent weld contamination. Information on other plating materials available upon request.

ANNEALING: Stud ductility can be increased by annealing to 75 Rockwell B for low carbon steel and 90 Rockwell B for stainless steel.

FLUX: COX INDUSTRIES studs 1/4" and over are solid fluxed.