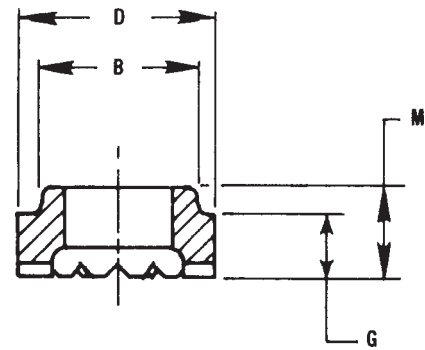
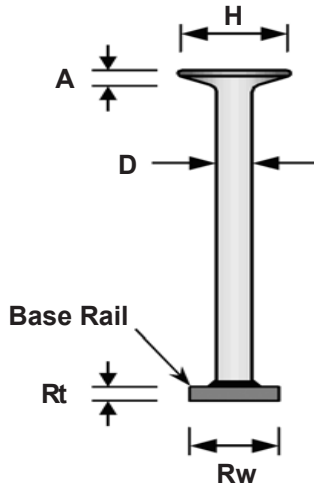


# PSR PUNCHING SHEAR STUDS



STUD SPECIFICATIONS						FERRULE SPECIFICATIONS				
D	A	H	HA/SA	Base Rail		PART NO.	B	D	G	M
				Rt	Rw					
3/8	.210	1.19	10.1	3/16	1	38FER	.505	.640	.234	.390
1/2	.280	1.58	10.0	1/4	1-1/4	12FER	.650	.795	.250	.438
5/8	.350	1.98	10.0	5/16	1-3/4	58FER	.785	1.030	.328	.516
3/4	.420	2.37	10.0	3/8	2	34FER	.785	1.030	.328	.516

COX INDUSTRIES PSR STUDS are designed for welding to flat strip steel to reduce punching shear stress. When ordering specify overall height of rails and diameter of stud. All orders for studs include required ferrules.

**LENGTH:** Length is before weld. Stud diameters (D) 1/2" and below will be approximately 1/8" shorter after welding. 5/8" will be approximately 3/16" shorter after welding. Maximum length available for cold headed product is 10-3/16". Prices on hot formed studs over 10-3/16" available upon request.

All COX INDUSTRIES PSR STUDS meet AWS specifications. Test reports available on request.

**STAINLESS STEELS:** COX INDUSTRIES studs are also available in weldable stainless steel. Type 304 is the most commonly used. Other grades of stainless steel (except Type 303) available when required.

**FLUX:** COX INDUSTRIES Headed Anchor Studs are solid fluxed.

**MATERIAL:** Low Carbon Steel.

**MECHANICAL PROPERTIES:** ( as cold drawn)

Tensile: ..... 60,000 psi min.

Yield : ..... 51,000 psi min.

Reduction in Area: ..... 50% min.

Elongation: ..... 20% in 2 inches min.

Typical Column Layout

