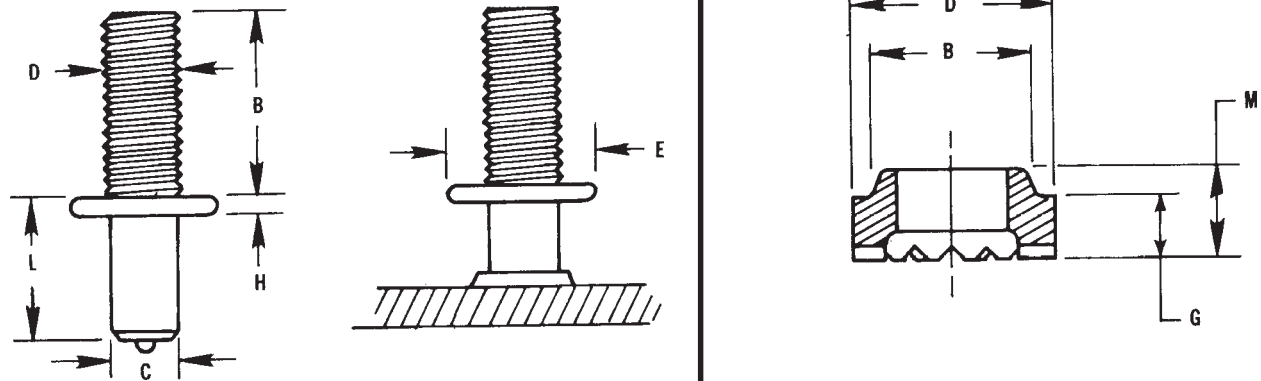


CS COLLAR STUDS



STUD SPECIFICATIONS						FERRULE SPECIFICATIONS				
D	Std. B	Min. L	C	E	H	No.	D	B	G	M
1/4-20	5/8	3/8	.215	1/2	3/32	14CFER	.875	.785	.125	.250
5/16-18	5/8	3/8	.275	5/8	3/32	51CFER	.875	.785	.125	.250
3/8-16	5/8	3/8	.330	5/8	3/32	38CFER	.875	.785	.125	.250
1/2-13	3/4	1/2	.448	3/4	3/32	12CFER	1.030	.921	.125	.281

COX INDUSTRIES CS COLLAR STUDS are threaded studs with a collar separating the weld base and the thread. They are available in diameters 1/4" through 1/2". All orders for studs include required ferrules.

LENGTH: Available in required lengths above recommended standard minimums. Length is before weld. Studs will be approximately 1/8" shorter after welding.

THREAD: Standard thread is UNC2A.

MATERIAL: Low carbon steel.

Mechanical Properties (as cold drawn)

Tensile: 55,000 psi

Reduction in Area: 50% min.

STAINLESS STEELS: Studs are also available in weldable stainless steel. Type 304 is the most commonly used. Other grades of stainless steel (except Type 303) available when required.

PLATING: If plated studs are required, cadmium, zinc, and nickel are used to ASTM specifications A165 Type TS, A164 Type RS, and B-456. Welding end of stud is not plated to prevent weld contamination. Information on other plating materials available upon request.

ANNEALING: Stud ductility can be increased by annealing to 75 Rockwell B for low carbon steel and 90 Rockwell B for stainless steel.

FLUX: Standard collar studs are solid fluxed.